

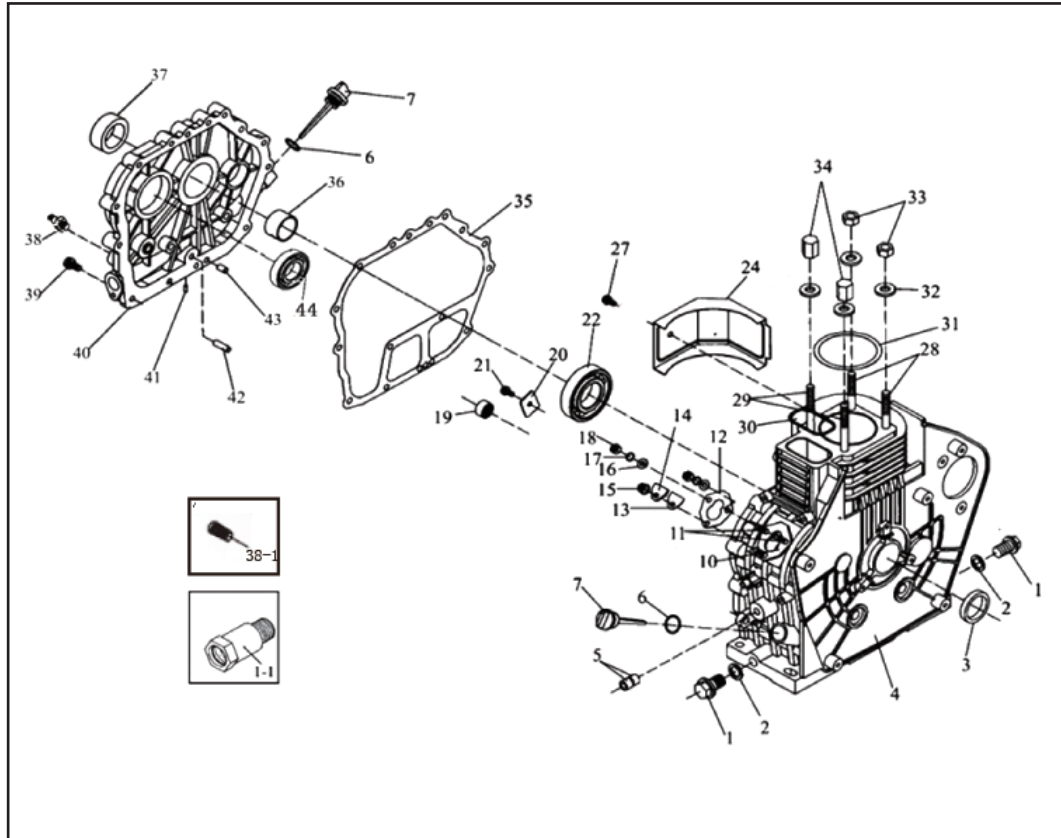
DESPIECE SPAREPARTS

**GENERADOR DIESEL:
DHY11000SEi-T**

MOTOR: D680E

06/02/2026

HYUNDAI
POWER PRODUCTS



Nº	REF.	DESCRIPCIÓN (ES)	DESCRIPTION (EN)
1	SP-D400-A01	TORNILLO DRENAJE M16X16X1,5	DRAIN PLUG SCREW M16X16X15.5
1-1	SP-D400-A01-1	PROLONGADOR TORNILLO DRENAJE	CONNECTING BOLT OF DRAIN PLUG
2	SP-D400-A02	ARANDELA TORNILLO DRENAJE Ø16,5	WASHER UNIT OF DRAIN PLUG Ø16.5
3	SP-D680-A03	SELLO DE ACEITE REAL	REAL OIL SEAL
4	SP-D680-A04	BLOQUE MOTOR / CÁRTER	ENGINE BLOCK / CRANKCASE
5	SP-D680-A05	COJINETE AGUJAS	NEEDLE BEARING
6	SP-D400-A06	JUNTA Ø24X2.4	O-RING Ø24x2.4
7	SP-D680-A07	VARILLA ACEITE	OIL DIPSTICK
10	SP-D400-A10	TORNILLO(CORTO) AM6X30	BOLT (SHORT) AM6X30
11	SP-D400-A11	TORNILLO(LARGO) AM6X36	BOLT (LONG) AM6X36
12	SP-D680-A12	JUNTA BOMBA COMBUSTIBLE	FUEL INJECTION PUMP WASHER 0.1-0.5MM
13	SP-D400-A13	JUNTA BOMBA	JOINT WASHER
14	SP-D400-A14	PLACA SELLO	SEAL PLATE
15	SP-D400-A15	TUERCA M6	NUT M6
16	SP-D400-A16	Ø6 ARANDELA PLANA	FLAT WASHER Ø6
17	SP-D400-A17	Ø6 ARANDELA ELÁSTICA	SPRING WASHER Ø6
18	SP-D400-A18	TUERCA M6	NUT M6
19	SP-D680-A19	IKO COJINETE AGUA	IKO NEEDLE BEARING
20	SP-D680-A20	PLACA FIJACION	THRUST PLATE
21	SP-D400-A21	PERNO BRIDA M8X12	FLANGE BOLT M8x12
22	SP-D400-A22	COJINETE DE BOLAS 6308	BALL BEARING 6308
24	SP-D400-A24	DEFLECTOR CILINDRO	CYLINDER BAFFLE
27	SP-D680-A27	TORNILLO BRIDA	FLANGE BOLT
28	SP-D680-A28	TORNILLO CILINDRO (CORTO)	CYLINDER HEAD STUD BOLT(SHORT)
29	SP-D680-A29	TORNILLO CILINDRO (LARGO)	CYLINDER HEAD STUD BOLT(LONG)
30	SP-D400-A30	JUNTA GOMA RECTANGULAR 5.1X2.3	RECTANGLE RING 5.1X2.3
31	SP-D680-A31	JUNTA CULATA COBRE	CYLINDER HEAD SHIM 0.1 .5MM
32	SP-D680-A32	ARANDELA CULATA	CYLINDER HEAD NUT GASKET
33	SP-D500-A33-1	TUERCA CULATA (CORTA)	CYLINDER HEAD NUT(SHORT)
34	SP-D500-A34-1	TUERCA CULATA (LARGA)	CYLINDER HEAD NUT(LONG)
35	SP-D680-A35	JUNTA BLOQUE MOTOR	CRANKCASE COVER WASHER
36	SP-D680-A36	CASQUILLO PRINCIPAL	MAIN BUSH



SP-D680-A04



SP-D680-A28

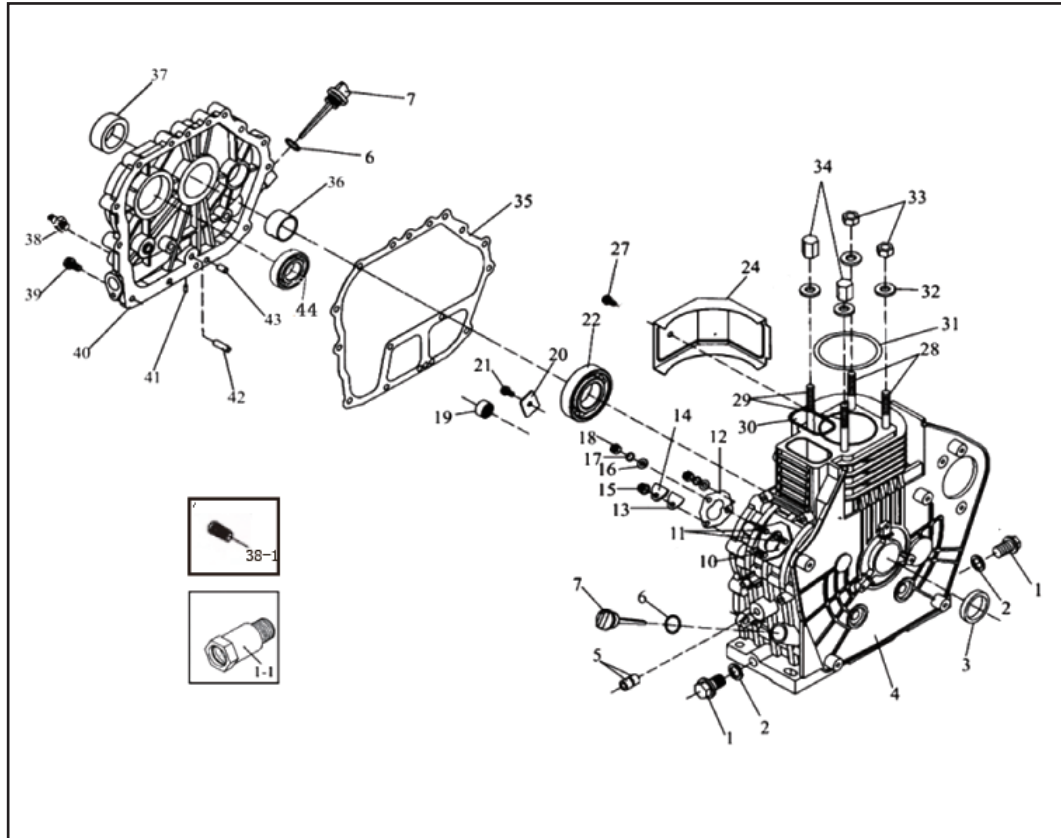
SP-D680-A29



SP-D400-A38



SP-D400-A38-1



Nº	REF.	DESCRIPCIÓN (ES)	DESCRIPTION (EN)
37	SP-D400-A37	RETEN FRONTAL DE ACEITE Ø35XØ50X10	FRONT OIL SEAL Ø35×Ø50×10
38	SP-D400-A38	SENSOR PRESIÓN ACEITE	LOW OIL ALARM
38-1	SP-D400-A38-1	TAPÓN ROSCADO HEXAGONAL INTERNO	HEXAGONAL INTERNAL SCREW PLUG
39	SP-D680-A39	TORNILLO M10x40	M10x40 BOLT
39-1	SP-D680-A39-1	TORNILLO M10x35	M10x35 BOLT
40	SP-D680-A40	TAPA BLOQUE MOTOR	CRANKCASE COVER
41	SP-D400-A41	REMACHE 8X8	PLUNGER 8×8
42	SP-D400-A42	CONDUCTO ACEITE	OIL CONDUIT
43	SP-D400-A43	PIN 8X12	PIN 8X12
44	SP-D680-A44	COJINETE BOLAS	BALL BEARING



SP-D680-A04



SP-D680-A28

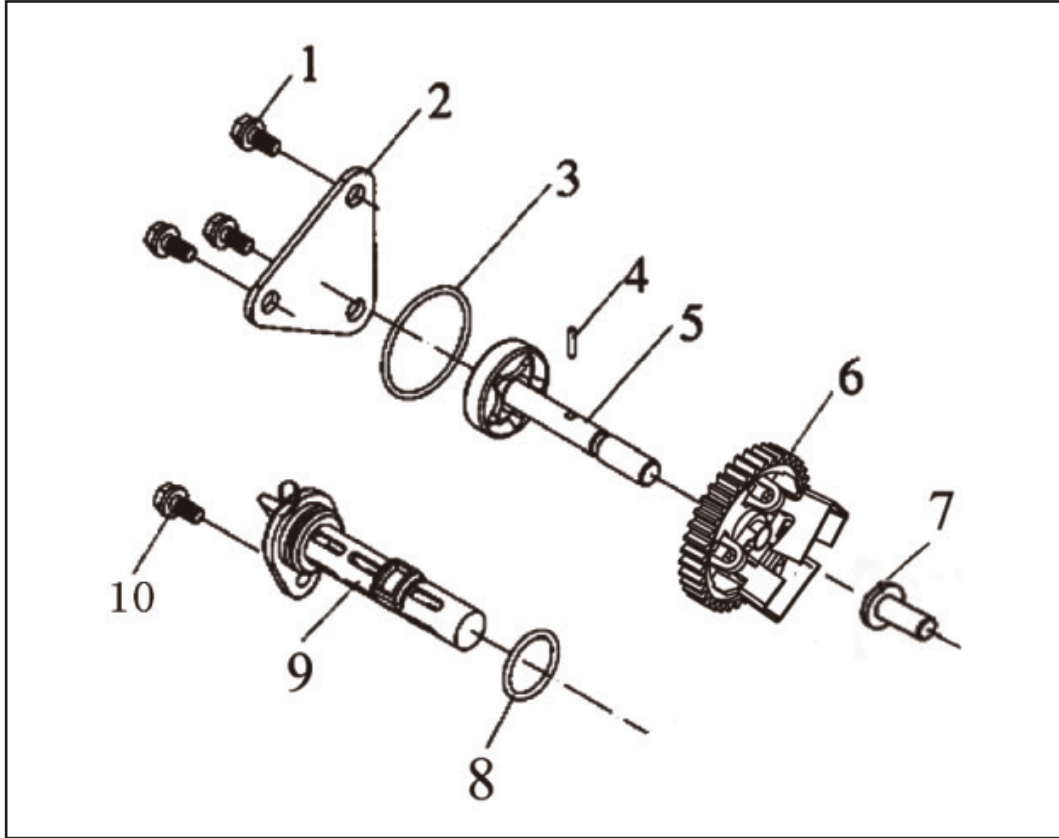
SP-D680-A29



SP-D400-A38



SP-D400-A38-1



Nº	REF.	DESCRIPCIÓN (ES)	DESCRIPTION (EN)
1	SP-D680-B01	TORNILLO	BOLT
2	SP-D680-B02	TAPA BOMBA ACEITE	LUBE OIL PUMP COVER
3	SP-D400-B03	JUNTA TORICA Ø34.5X1.8	O-RING Ø34.5×1.8
4	SP-D400-B04	PIN 3X16	PIN 3X16
5	SP-D680-B05	UNIDAD BOMBA ACEITE MOTOR	ENGINE OIL PUMP UNIT
6	SP-D680-B06	GOVERNADOR BOMBA ACEITE	DRIVE GEAR OF LUBE OIL PUMP
7	SP-D680-B07	TETON EMPUJE REGULADOR	GOVERNOR PUSH REEL
8	SP-D400-B08	JUNTA TORICA Ø20X2,52	O-RING Ø20×2.52
9	SP-D680-B09	CONJUNTO FILTRO ACEITE	LUBE OIL FILTER ASSY
10	SP-D400-B10	TORNILLO M6X14	BOLT M6×14



SP-D680-B05



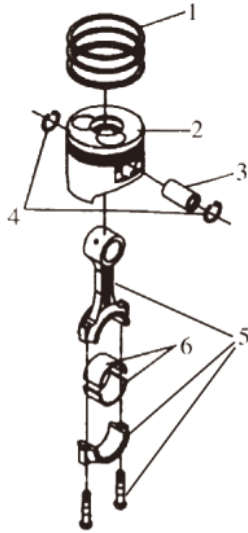
SP-D680-B06



SP-D680-B07



SP-D680-B09



Nº	REF.	DESCRIPCIÓN (ES)	DESCRIPTION (EN)
1	SP-D680-C01	JUEGO SEGMENTOS	PISTON RING SET
2	SP-D680-C02	PISTON	PISTON
3	SP-D680-C03	BURLON PISTON	PISTON PIN
4	SP-D680-C04	CLIP BULON PISTON	PISTON PIN CLIP
5	SP-D680-C05	CONJUNTO BIELA	CONNECTING ROD ASSY
6	SP-D680-C06	CASQUILLOS BIELA (JUEGO)	CONNECTING ROD BUSH (SET)



SP-D680-C01



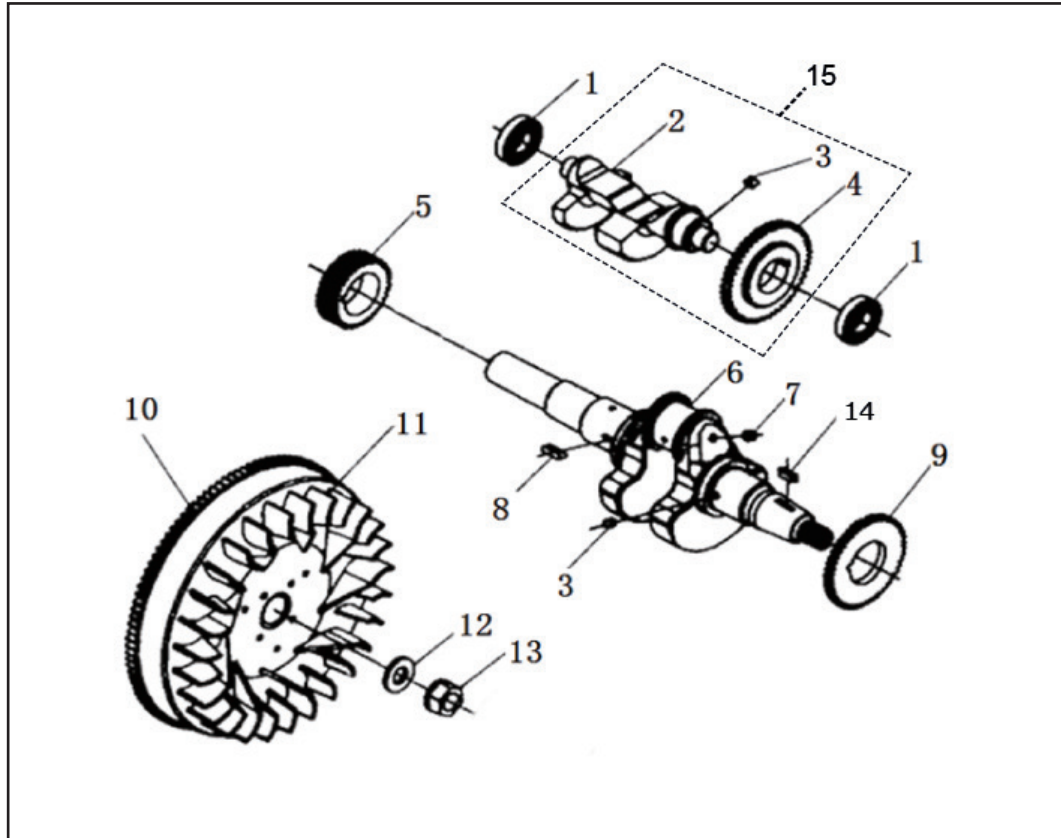
SP-D680-C02



SP-D680-C03



SP-D680-C05



Nº	REF.	DESCRIPCIÓN (ES)	DESCRIPTION (EN)
1	SP-D680-D01	COJINETE BOLAS	BALL BEARING
2	SP-D680-D02	EJE BALANCE	BALANCE SHAFT
3	SP-D400-D03	CHAVETA 5X7	KEY 5x7
4	SP-D680-D04	PIÑON EJE BALANCINES	TIMING GEAR OF BALANCE SHAFT
5	SP-D680-D05	PIÑON CIGÜEÑAL	CRANKSHAFT TIMING GEAR
6	SP-D680-D06	CIGÜEÑAL CORTO	CRANKSHAFT SHORT
6-1	SP-D680-D06-1	CIGÜEÑAL LARGO	CRANKSHAFT LONG
7	SP-D400-D07	REMACHE DE ACERO Ø6.35	STEEL BALL Ø6.35
8	SP-D400-D08	CHAVETA 5x14mm	KEY 5x14mm
9	SP-D680-D09	PIÑON CIGÜEÑAL BALANCINES	DRIVE GEAR OF BALANCE SHAFT
10	SP-D400-D10	CORONA DENTADA	FLYWHEEL RING GEAR
11	SP-D680-D11	VOLANTE INERCIA COMPLETO	FLYWHEEL
12	SP-D680-D12	ARANDELA Ø22	FLYWHEEL NUT WASHER Ø22
13	SP-D680-D13	TUERCA M22x1.5	FLYWHEEL NUT M22x1.5
14	SP-D680-D14	CHAVETA	KEY
15	SP-D680-D15	CONJUNTO EJE BALANCE	ASSY BALANCE SHAFT



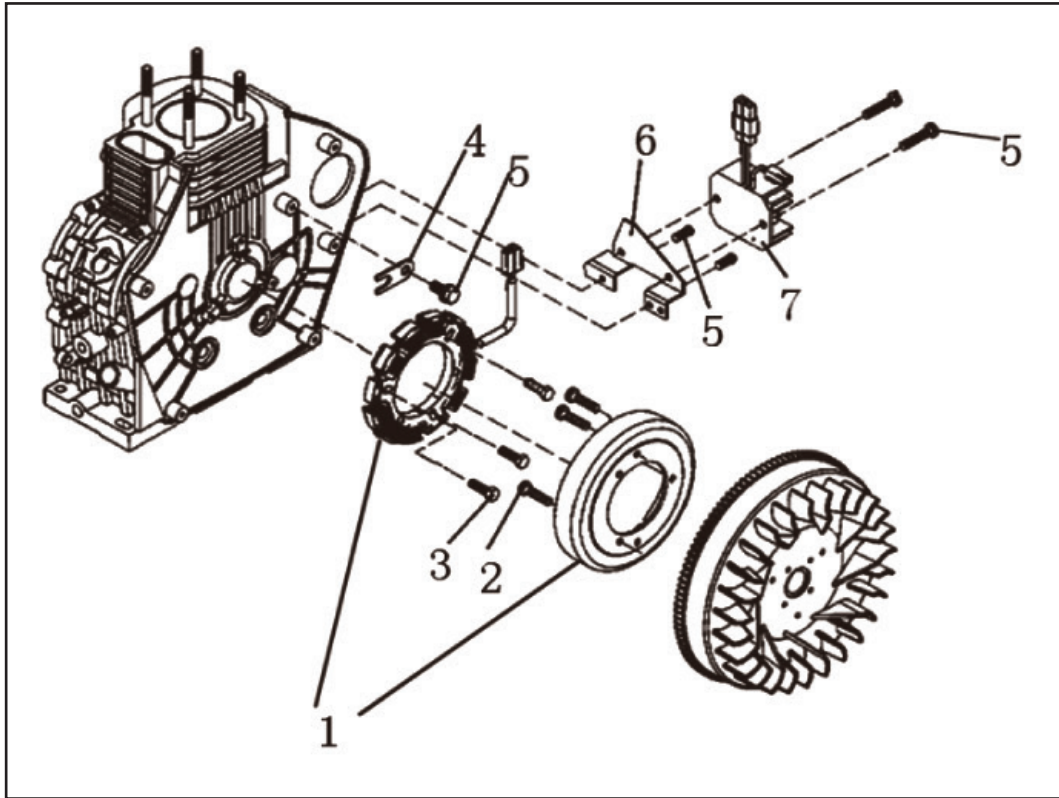
SP-D680-D01



SP-D680-D06



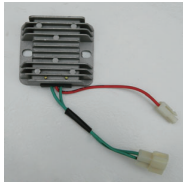
SP-D680-D11



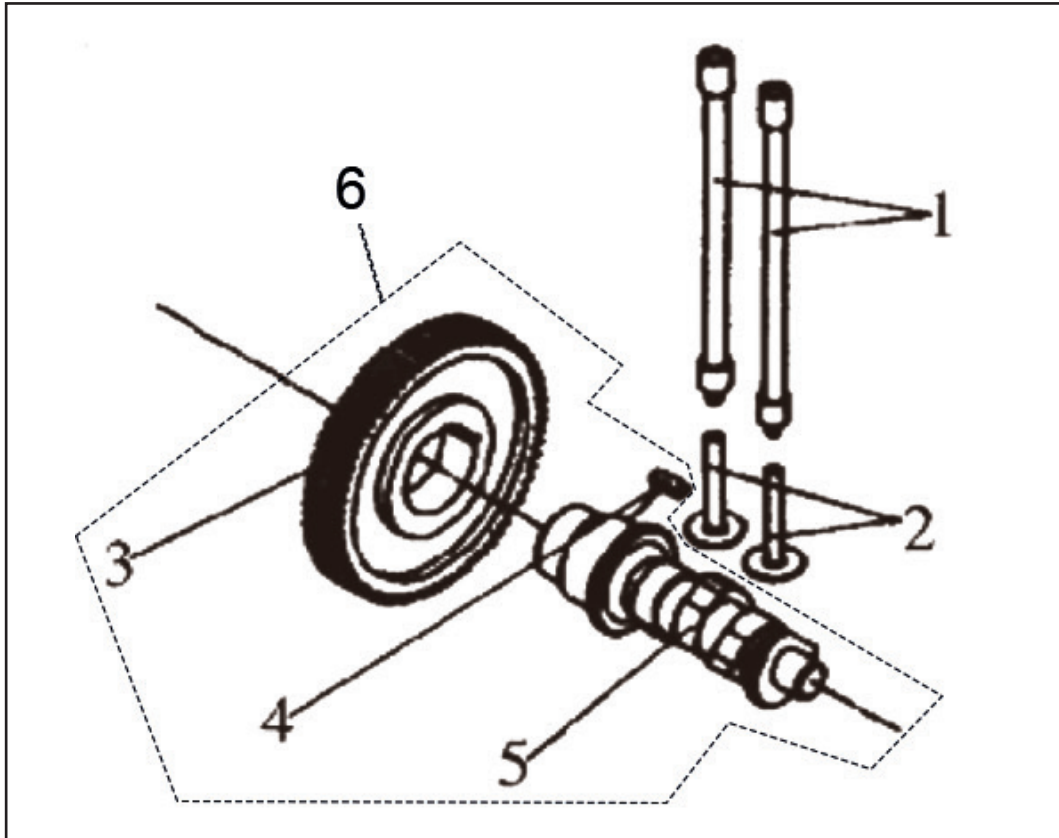
Nº	REF.	DESCRIPCIÓN (ES)	DESCRIPTION (EN)
1	SP-D400-E01	BOBINA CARGA MOTOR	FLYWHEEL ALTERNATOR
2	SP-D400-E02	TORNILLO M6X12	SCREW M6×12
3	SP-D400-E03	TORNILLO M6X12	SCREW M6×12
4	SP-D400-E04	PLACA FIJADOR CABLE	RETAINER PLATE
5	SP-D400-E05	TORNILLO M6X12	SCREW M6×12
6	SP-D400-E06	SOPORTE REGULADOR VOLTAJE	SUPPORT OF VOLTAGE REGULATOR
7	SP-D400-E07	REGULADOR/RECTIFICADOR CARGA	VOLTAGE REGULATOR ASSY



SP-D400-E01



SP-D400-E07



Nº	REF.	DESCRIPCIÓN (ES)	DESCRIPTION (EN)
1	SP-D680-F01	VARILLA EMPUJE (JUEGO)	VALVE PUSH ROD ASSY
2	SP-D680-F02	ASIENTO EMPUJADOR	VALVE TAPPET
3	SP-D680-F03	PIÑÓN ARBOL LEVAS	CAMSHAFT TIMING GEAR
4	SP-D680-F04	CHAVETA	KEY
5	SP-D680-F05	ARBOL LEVAS	CAMSHAFT
6	SP-D680-F06	CONJUNTO ARBOL LEVAS	ASSY CAMSHAFT



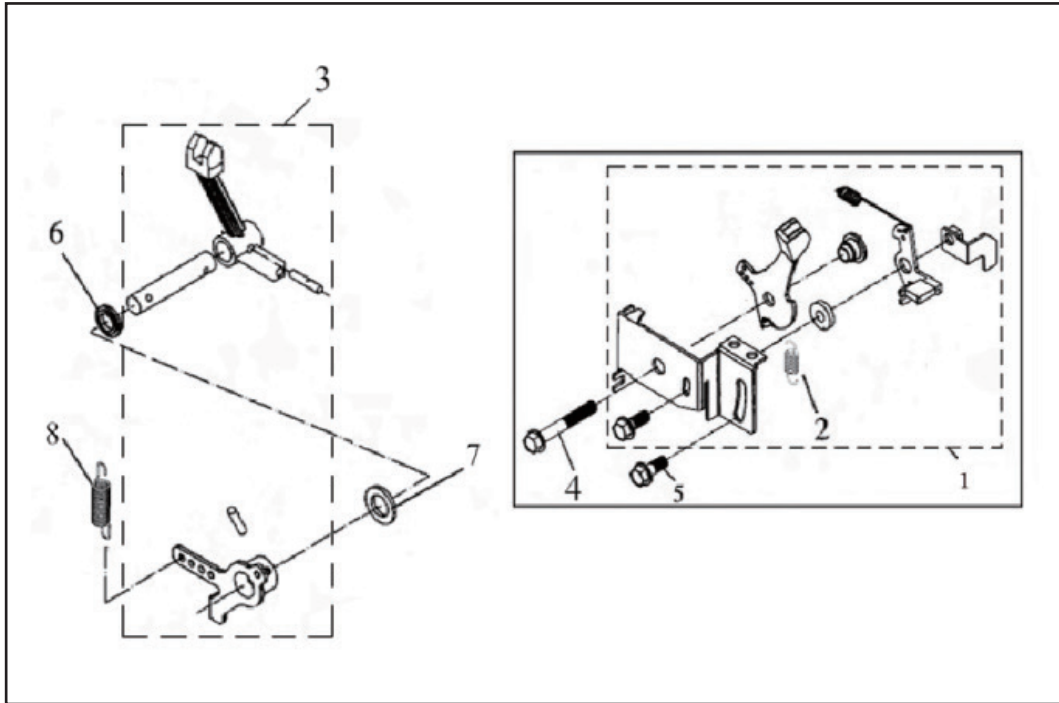
SP-D680-F01



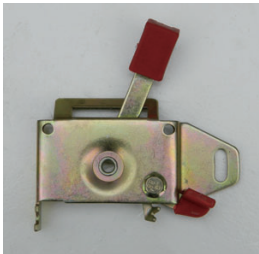
SP-D680-F02



SP-D680-F05



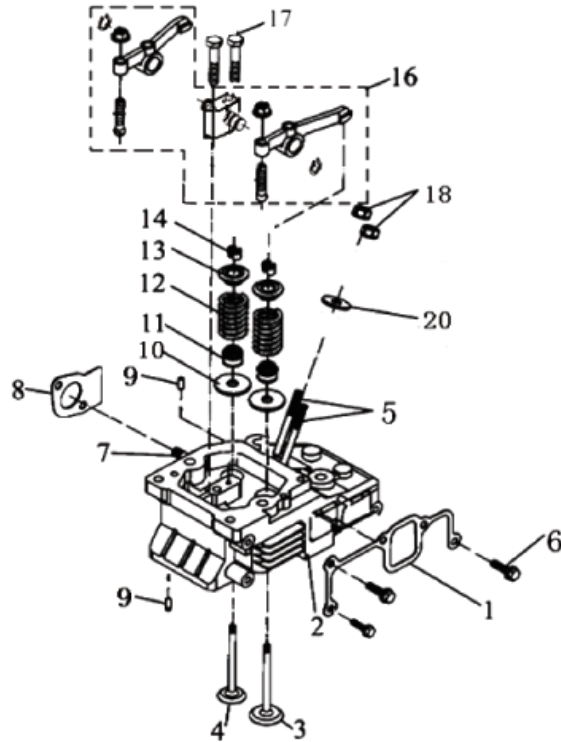
Nº	REF.	DESCRIPCIÓN (ES)	DESCRIPTION (EN)
1	SP-D400-G01	CONJUNTO CONTROLADOR VELOCIDAD STOP-START	STOP-START SPEED GOVERNOR ASSY
2	SP-D400-G02	MUELLE RETROCESO II	RETRUN SPRING II
3	SP-D680-G03	HORQUILLA INTERIOR MOTOR GOVERNA-DOR	GOVERNOR LEVEL ASSY
4	SP-D400-G04	TORNILLO M6X18	FLANGE BOLT M6x18
5	SP-D400-G05	TORNILLO M6X14	FLANGE BOLT M6x14
6	SP-D400-G06	RETEN Ø2,6XØ14X8	LEVEL SHAFT OIL SEAL Ø2.6XØ14X8
7	SP-D400-G07	ARANDELA	LEVEL SHAFT GASKET
8	SP-D680-G08	MUELLE ACELERADOR	GOVERNOR SPRING
9	SP-D400-G09	MUELLE RETROCESO I	RETURN SPRING I



SP-D400-G01



SP-D680-G03



Nº	REF.	DESCRIPCIÓN (ES)	DESCRIPTION (EN)
1	SP-D680-H01	JUNTA COLECTOR ADMISION	INTAKE PIPE SHIM
2	SP-D680-H02	CULATA	CYLINDER HEAD
3	SP-D680-H03	VALVULA ADMISION	INTAKE VALVE
4	SP-D680-H04	VALVULA ESCAPE	EXHAUST VALVE
5	SP-D450-H05-1	TORNILLO DOBLE ROSCA	STUD
6	SP-D400-H06	TORNILLO	BOLT
7	SP-D450-H07-1	TORNILLO DOBLE ROSCA	STUD
8	SP-D500-H08-1	JUNTA ESCAPE CULATA	EXHAUST PIPE WASHER
9	SP-D400-H09	PIN 4 x 8	PIN 4 x 8
10	SP-D400-H10	ARANDELA BASE MUELLE	VALVE SPRING GASKET
11	SP-D680-H11	RETEN VALVULA	VALVE CONDUIT OIL SEAL
12	SP-D500-H12-1	MUELLE VALVULA	VALVE SPRING
13	SP-D680-H13	ASIENTO SUPERIOR MUELLE	VALVE SPRING SEAT
14	SP-D680-H14	CLIP RETENCION VALVULA	VALVE RETAINING CLIP
16	SP-D680-H16	CONJUNTO BALANCINES	ROCKER ARM ASSY
17	SP-D400-H17	TORNILLOS CONJUNTO BALANCINES M8 x 1,25 x 50	SET BOLT OF ROCKER ARM SEAT M8 x 1,25 x 50
18	SP-D680-H18	TUERCA	FLANGE NUT
20	SP-D400-H20	ARANDELAS AJUSTE INYECTOR 0.1-0.5MM	INJECTOR ADJUSTMENT WASHERS 0.1-0.5MM



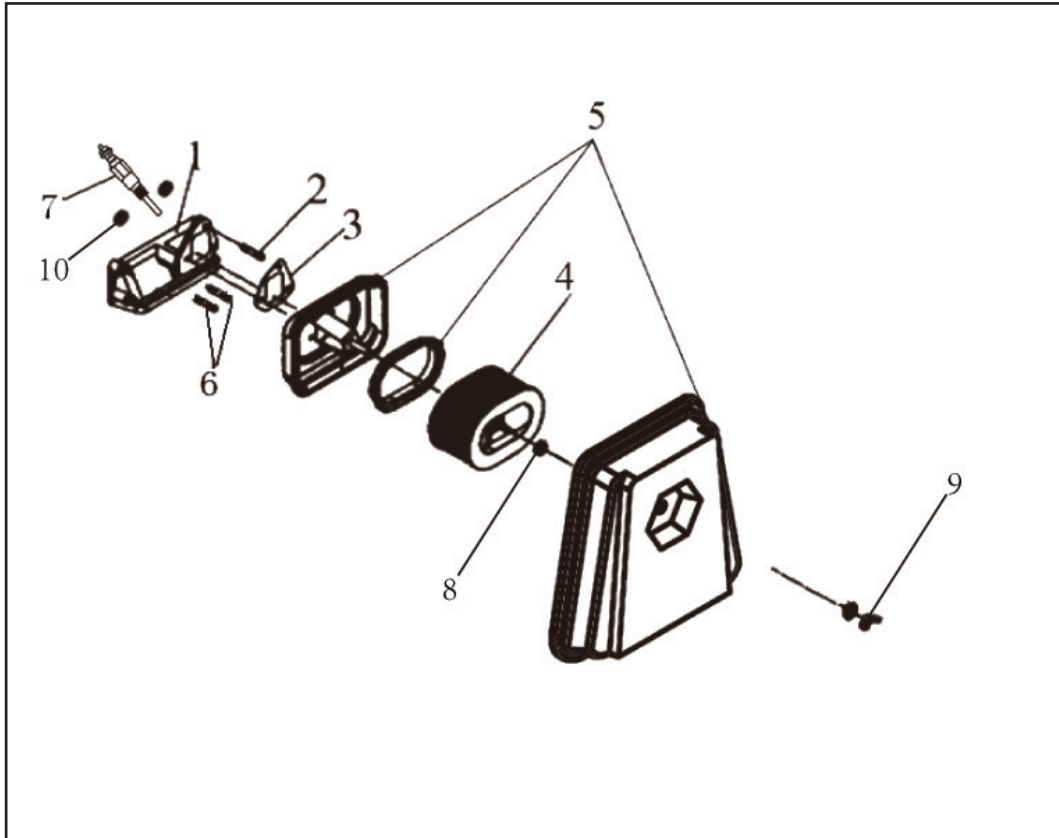
SP-D680-H02



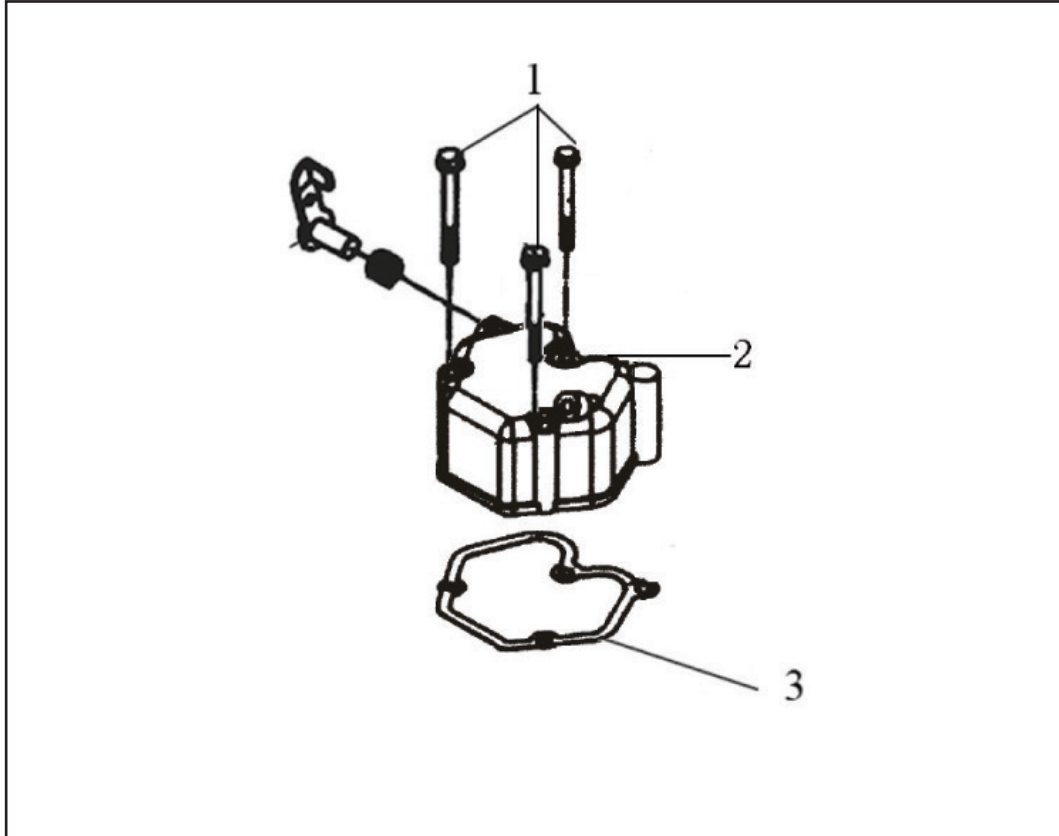
SP-D680-H03



SP-D680-H04



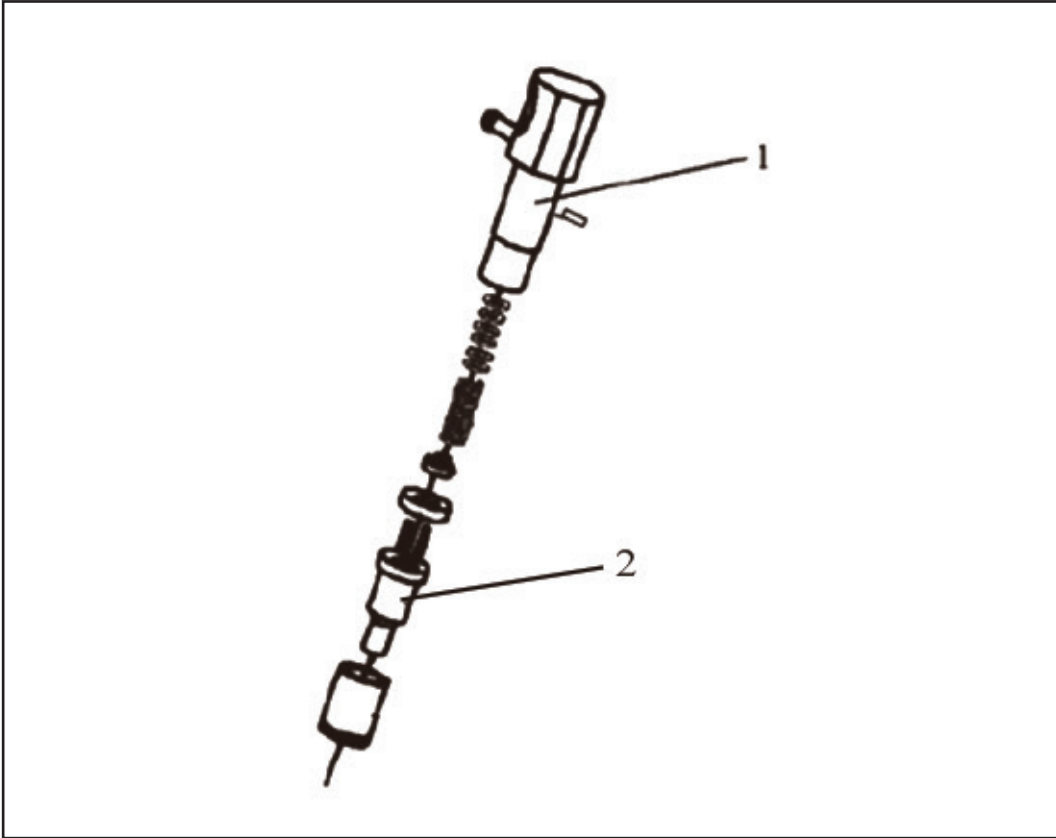
Nº	REF.	DESCRIPCIÓN (ES)	DESCRIPTION (EN)
1	SP-D680-I01	TOBERA ADMISION	INLET PIPE
1-1	SP-D680-I01-1	TOBERA ADMISION	INLET PIPE
2	SP-D680-I02	TORNILLO M6X12	FLANG BOLT M6X12
3	SP-D680-I03	JUNTA TOBERA ADMISION A FILTRO	AIR CLEARNER GASKET
4	SP-D680EI-04	FILTRO AIRE INVERTER	AIR CLEANER ELEMENT ASSY >22
5	SP-D680EI-05	CAJA FILTRO INVERTER	AIR CLEANER SHELL ASSY
7	SP-D400-I07	PRE-CALENTADOR 12V	12V HEATING PLUG
8	SP-D680-I08	TUERCA M8	NUT M8



Nº	REF.	DESCRIPCIÓN (ES)	DESCRIPTION (EN)
1	SP-D680-J01	TORNILLO	BOLT
2	SP-D680-J02	TAPA VALVULAS	CYLINDER HEAD COVER ASSY
3	SP-D680-J03	JUNTA TAPA VALVULAS	CYLINDER HEAD COVER GASKET



SP-D680-J02



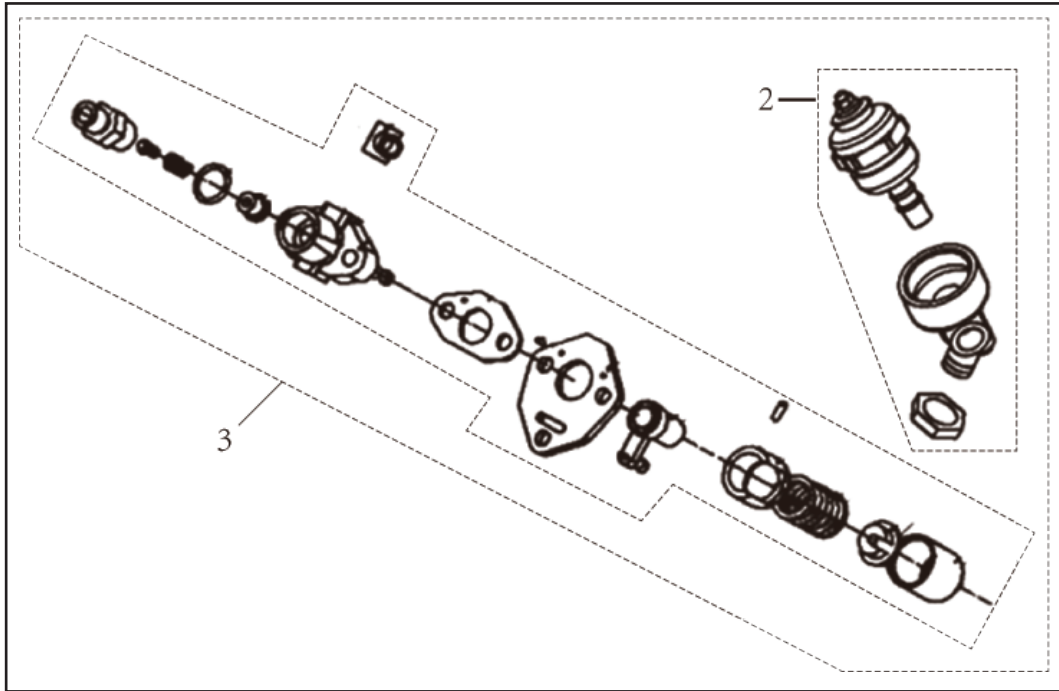
Nº	REF.	DESCRIPCIÓN (ES)	DESCRIPTION (EN)
1	SP-D680-K01	CONJUNTO INYECTOR	INJECTOR ASSY
2	SP-D680-K02	BOQUILLA INYECCIÓN	INJECTION NOZZLE



SP-D680-K01



SP-D680-K02



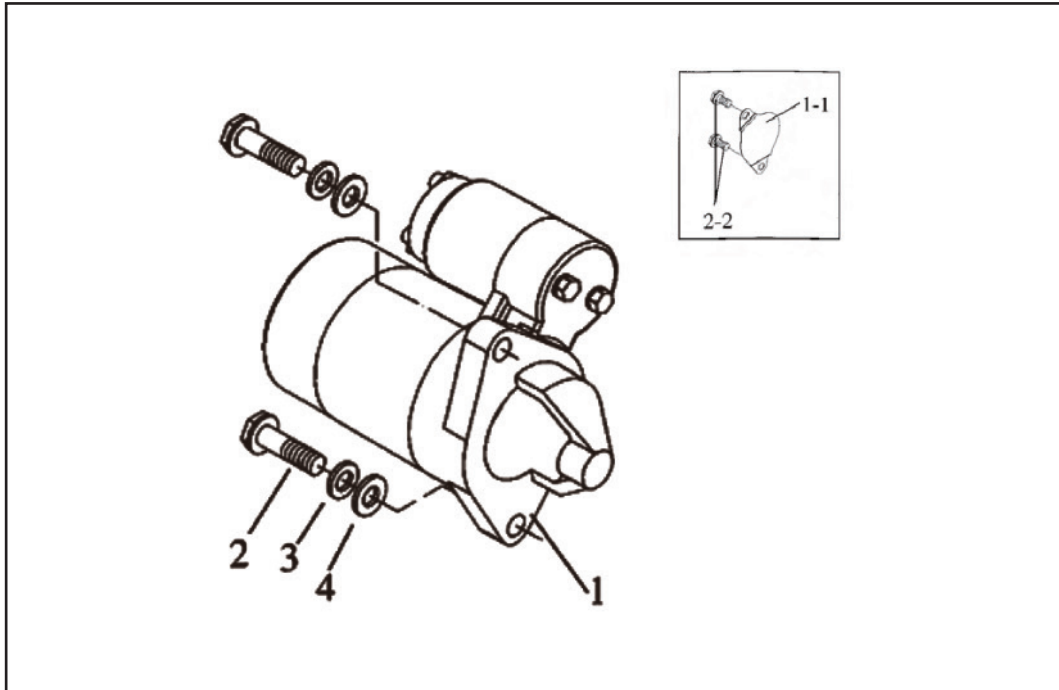
Nº	REF.	DESCRIPCIÓN (ES)	DESCRIPTION (EN)
2	SP-D400-L02	VALVULA ELECTROMAGNETICA	ELECTROMAGNETIC VALVE
3	SP-D680-L03	BOMBA INYECCIÓN CON ELECTRO VALVULA	INJECTION PUMP ASSY(ELECTROMAGNETIC VALVE INCLUDED)



SP-D400-L02



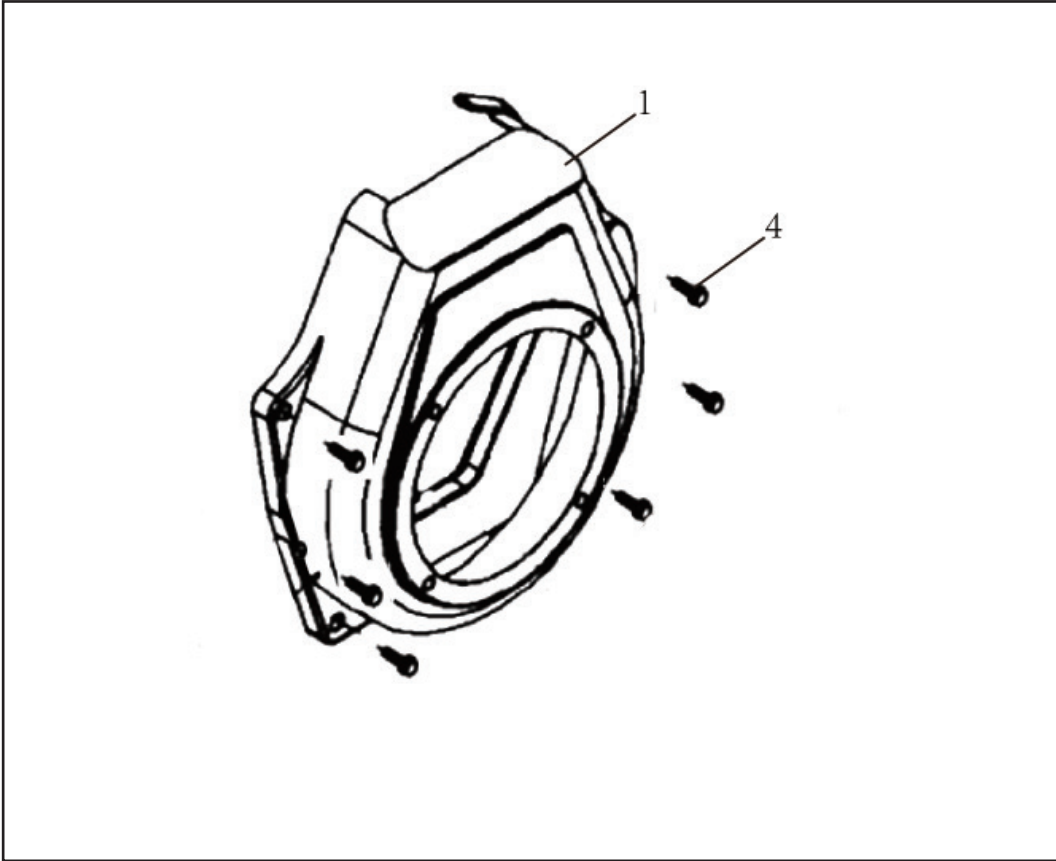
SP-D680-L03



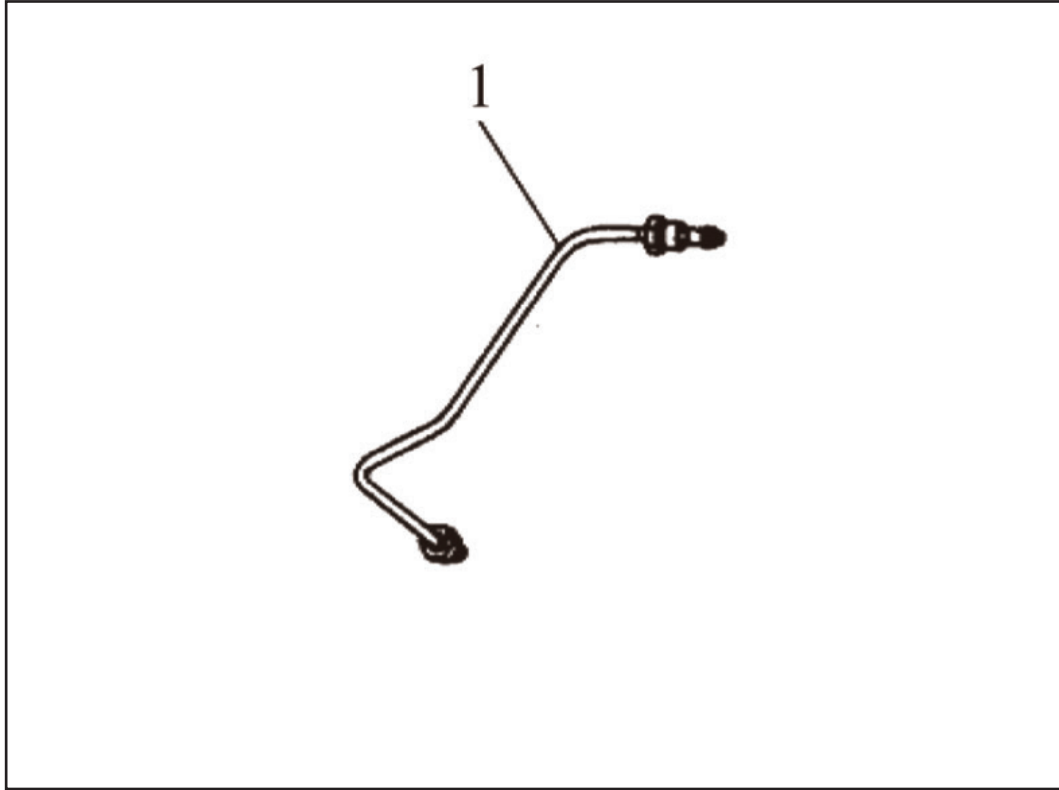
Nº	REF.	DESCRIPCIÓN (ES)	DESCRIPTION (EN)
1	SP-D680-M01	MOTOR ARRANQUE	STARTING MOTOR ASSY
2	SP-D680-M02	TORNILLO	BOLT
3	SP-D680-M03	JUNTA MUELLE	SPRING GASKET
4	SP-D680-M04	ARANDELA PLANA	FLAT WASHER



SP-D680-M1



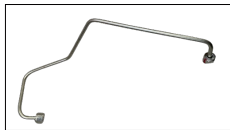
Nº	REF.	DESCRIPCIÓN (ES)	DESCRIPTION (EN)
1	SP-D680-N01	CUBIERTA VOLANTE INERCIA	FAN COVER WELDMENT ASSY (OPEN FRAME TYPE)
4	SP-D400-N06	TORNILLO M6 × 22	BOLT M6×22



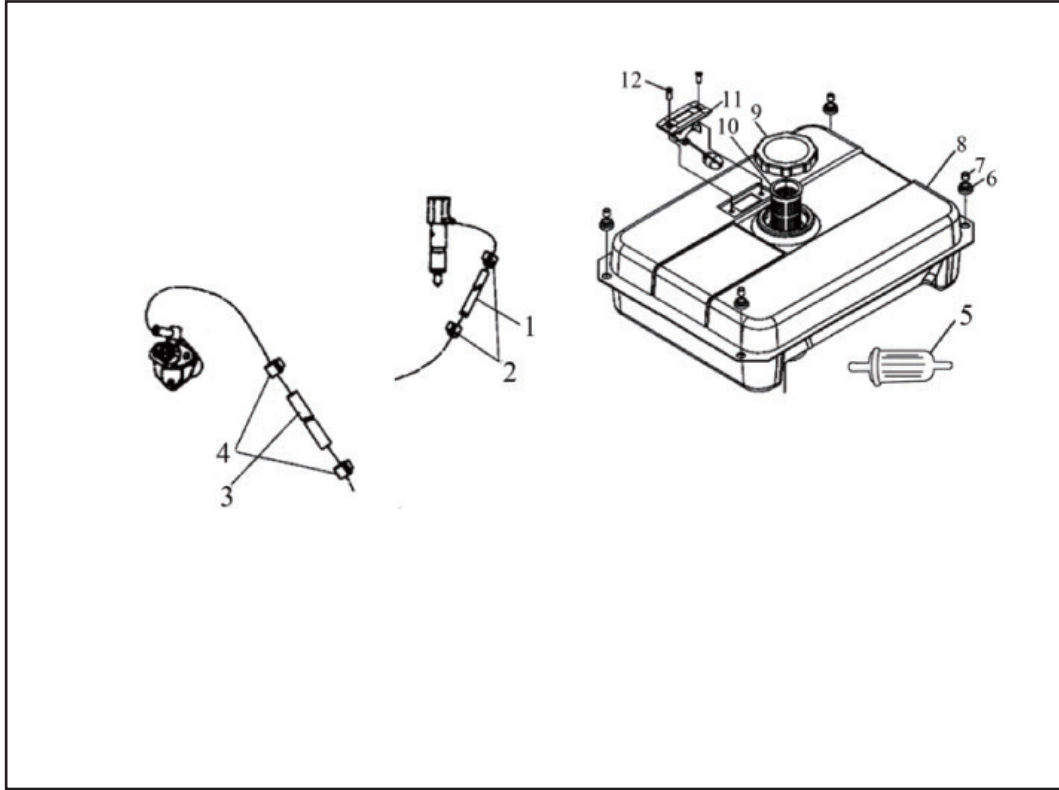
Nº	REF.	DESCRIPCIÓN (ES)	DESCRIPTION (EN)
1	SP-D680-001	TUBO ALTA PRESIÓN	HIGH-PRESSURE TUBE
1-1	SP-D680-001-1	TUBO ALTA PRESIÓN	HIGH-PRESSURE TUBE



SP-D680-001



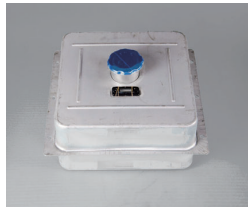
SP-D680-001-1



Nº	REF.	DESCRIPCIÓN (ES)	DESCRIPTION (EN)
1	SP-D400-R01	TUBERIA RETORNO COMBUSTIBLE Ø5X9.5	FUEL RETURN PIPE Ø5x9.5
2	SP-D400-R02	ABRAZADERA TUBO RETORNO 9	FUEL RETURN PIPE CLIP Ø9
3	SP-D400-R03	TUBO COMBUSTIBLE (7.5X13)	FUEL PIPE Ø7.5x13
4	SP-D400-R04	ABRAZADERA TUBO COMBUSTIBLE Ø11, OPCIONAL Ø13	FUEL PIPE CLIP Ø11, Ø13 AS OPTIONAL
5	SP-D400-R05	FILTRO COMBUSTIBLE EXTERNO	EXTERNAL FUEL FILTER
5-1	SP-D400-R05-2	FILTRO COMBUSTIBLE 2024	2024 FUEL FILTER
6	SP-D400-R06	GOMAS ANTIVIBRACION DEPOSITO	VIBRATION ISOLATION CUSHION BLOCK
7	SP-D400-R07	CASQUILLO	SHEATH
8	SP-D680-R08	DEPOSITO COMBUSTIBLE	FUEL TANK
9	SP-D400-R09	TAPON DEPOSITO COMBUSTIBLE	FUEL TANK CAP
10	SP-D400-R10	PRE-FILTRO COMBUSTIBLE	FUEL FILLER SCREEN
11	SP-D400-R11	INDICADOR NIVEL COMBUSTIBLE	FUEL LEVEL INDICATOR ASSY (SOUNDPROOF TYPE)
12	SP-D400-R12	TORNILLO M5X8	SCREW M5x8



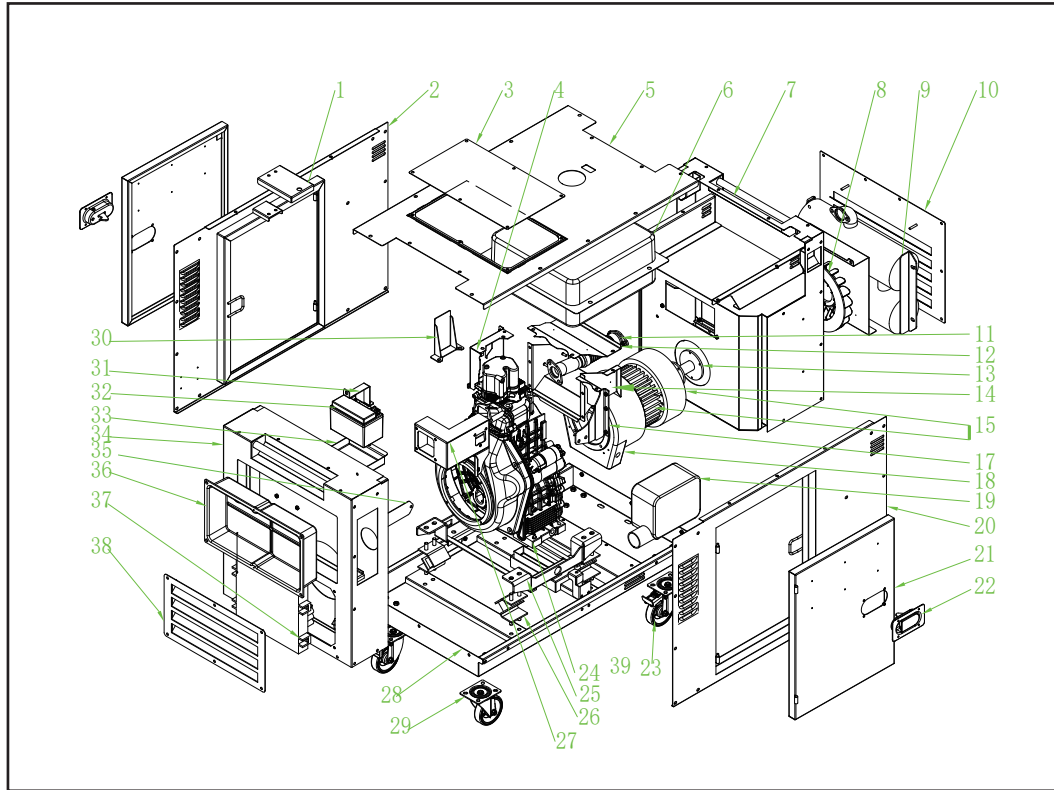
SP-D400-R05



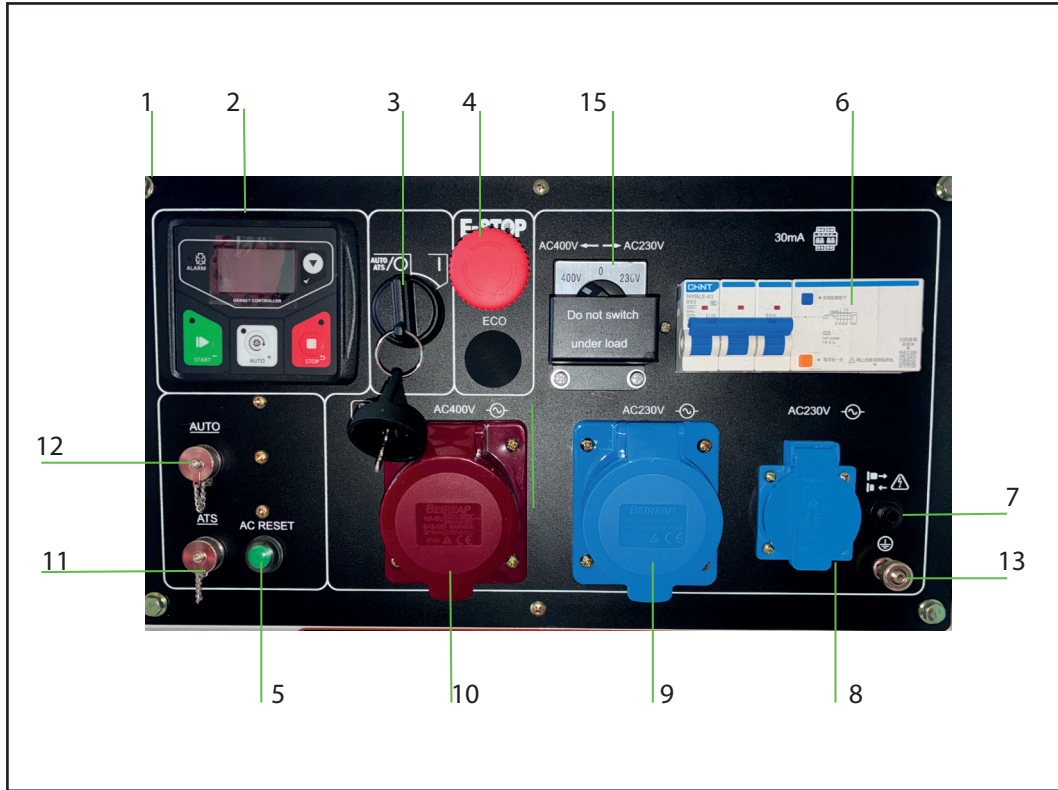
SP-D680-R08



SP-D400-R05-2



Nº	REF.	DESCRIPCIÓN (ES)	DESCRIPTION (EN)
1	SP-10KSEI-01	ANCLAJE SOPORTE SUPERIOR	BUMPER
2	SP-10KSEI-02	TAPA LATERAL DERECHA	RIGHT SIDE PANEL
3	SP-10KSEI-03	TAPA ACCESO FILTRO AIRE	TOP COVER PLATE
4	SP-10KSEI-04	PLANCHA INTERNA 1	INNER LINER PIECE 1
5	SP-10KSEI-05	TECHO CARROCERIA	ROOF PANEL
6	SP-10KSEI-06	DEPÓSITO COMBUSTIBLE	FUEL TANK
7	SP-10KSEI-07	TAPA TRASERA ESCAPE	SILENCER SIDE PANEL
8	SP-10KSEI-08	VENTILADOR ALTERNADOR	FAN
9	SP-10KSEI-09	SILENCIADOR	MUFFLER
10	SP-10KSEI-10	TAPA SILENCIADOPR	SILENCER COVER
11	SP-10KSEI-11	FLEXIBLE ESCAPE	SILENCER CONNECTING PIPE
12	SP-10KSEI-12	PLANCHA INTERNA 2	INNER LINER PIECE 2
13	SP-10KSEI-13	EJE	CONNECTING SHAFT
14	SP-10KSEI-14	PLANCHA INTERNA 3	INNER LINER PIECE 3
15	SP-ALT-10KSEi	ROTOR	MOTOR ROTOR
17	SP-10KSEI-17	PLANCHA INTERNA 4	INNER LINER PIECE 4
18	SP-10KSEI-18	AIREADOR ALTERNADOR	MOTOR END COVER
19	SP-10KSEI-19	CAJA ADMISIÓN	AIR FILTER HOLDER
20	SP-10KSEI-20	TAPA LATERAL IZQUIERDO	LEFT SIDE PANEL
21	SP-10KSEI-21	PUERTA LATERAL	DOOR PANEL
22	SP-10KSEI-22	CERRADURA PUERTA	DOOR LOCK
23	SP-10KSEI-23	RUEDA 360° CON FRENO	CASTER
24	IT-D680E-G-SE	MOTOR 15HP 678 CC EJE CONICO	15HP 680CC CONICAL SHAFT DIESEL ENGINE
25	SP-10KSEI-25	BASE SOPORTE MOTOR	POWER BRACKET
26	SP-10KSEI-26	SILENTBLOCK	SHOCK-ABSORBING PAD
27	SP-10KSEI-27	SOPORTE FILTRO AIRE	AIR FILTER BRACKET
28	SP-10KSEI-28	BASE CARROCERIA	CHASSIS
29	SP-10KSEI-29	RUEDA FIJA	ORIENTED WHEELS
30	SP-10KSEI-30	SOPORTE	ANTI COLLISION BRACKET
31	SP-10KSEI-31	FIJACIÓN BATERÍA	BATTERY PRESSURE PLATE
32	SP-BAT-6AH-12V-1	BATERÍA DE LITIO 12V 6AH 150X90X105	BATTERY
33	SP-10KSEI-33	SOPORTE BATERÍA	BATTERY HOLDER
34	SP-10KSEI-34	TAPA DELANTERA	AIR FILTER SIDE PANEL
35	SP-10KSEI-35	TAPA DRENAJE DE ACEITE	OIL DRAIN COVER PLATE
36	SP-10KSEI-36	CUBIERTA POSTERIOR PANEL	PANEL COVER
37	SP-10KSEI-37	PLACA INVERTER	MODULE
38	SP-10KSEI-38	TAPA VENTILACIÓN	AIR INTAKE COVER



Nº	REF.	DESCRIPCIÓN (ES)	DESCRIPTION (EN)
1	SP-PC-PANEL-10KSEI-01	PANEL COMPLETO	PANEL PLATE
2	SP-PC-DC30	DC30 DISPLAY	DC30 DISPLAY
3	SP-PC-STARTER-D	BOMBIN DE ARRANQUE	KEY STARTER
4	SP-PC-STOP	PARO DE EMERGENCIA	E-STOP BUTTOM
5	SP-PC-AC RESET	BOTON RESET CORREINTE AC	RESET SWITCH
6	SP-PC-CHINT-4-B63-A	DIFERENCIAL	BREAKER
7	SP-PC-OVER-16A	PROTECTOR DE SOBRECARGA 8A	OVERLOAD PROTECTOR 8A
8	SP-PC-BASE-SCH-16A-IP44	BASE SCHUKO 16A	EUROPE SOCKET 16A
9	SP-PC-BASE-SCH-32A-IP44	BASE SCHUKO 16A 230V	230V EUROPE BLUE SOCKET 32A
10	SP-PC-BASE-16A-400V	BASE 16A 5P 400V IP44	400V EUROPE BLUE SOCKET 16A
11	SP-PC-ATS-3	CONECTOR ATS	ATS SOCKET
12	SP-PC-ATS-2	TOMA AUTOMATICA	AUTO SOCKET
13	SP-PC-CON-EARTH	TUERCA TOMA DE TIERRA	GROUNDING NUT
15	SP-PC-PANEL-9KSEI-15	INTERRUPTOR DE CONVERSION	CONVERSION SWITCH